

MM to SM Fiber Mode Converter Specification

1. Overview

These series devices include several types:

- 1) Wavelength Switch Device: It can provide data transmission between two wavelength, such as 1310nm↔1310nm、1310nm↔1550nm、1310nm↔850nm、850nm↔1550nm

This kind of device also can be used as positive power enlarge device

- 2) Mode Switch Device: It can provide data transmission between multi mode (850nm,1310nm)and single mode (1310nm,1550nm), This kind of device also can be used as positive power enlarge device.

- 3) Fiber Switch Device: It can provide the data transmission between single -fiber and dual -fiber.

- 4) Switch deferent wavelength and two types of mode.

Our company can provide this kind of device with deferent data rate (155M、622M、1.25G),The longest distance can be 120km.



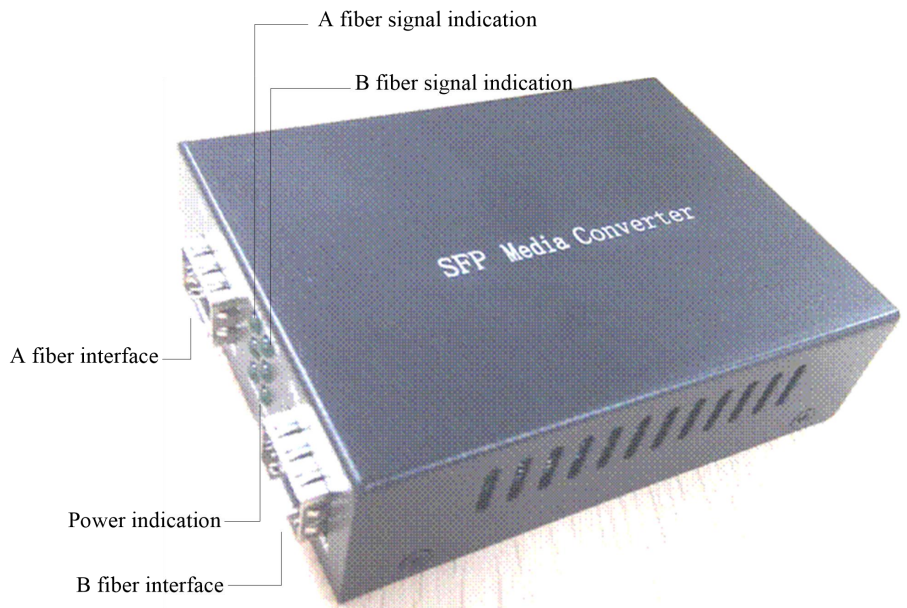
2. Outlooking and Features

- Fiber A: multi - fiber port
Fiber B: single -fiber port
- LED: power*2 LINK A、LINK B
- Standard: IEEE 802.3
- Port: SC、LC
- Power: AC220V or DC 48V/1A 2A
- Operating temperature: 0℃~70℃
- Operating humidity: 5%~90%
- Supporting full duplex and half-duplex transmission
- Demension: 26mm (H)*70mm (W)*95mm (D)
- Single mode :1300nm、1310nm、1550nm
- Multi mode: 1310nm、1300nm、850nm
- Transmission fiber:
Multi mode:50/125、62.5/125 or 100/140um
Single mode:8.3/125,8.7/125,9/125 or 10/125um
- Transmission distance:

Multi mode: 0~2Km

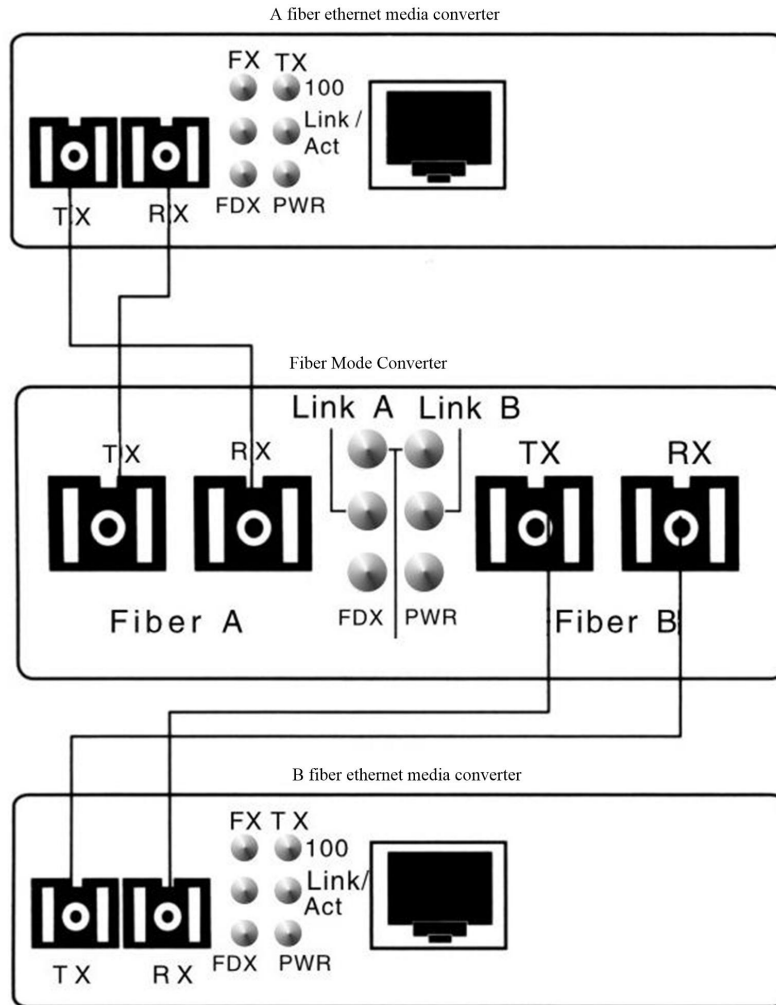
Single mode: 2~100Km

3. LINK/LED Description



LEDs	State	Indications
POWER	Solid on	Power feeding in
	Off	No power
LINK A	Solid on	Port A multimode fiber signal detects: a valid connection established.
	Off	Multimode fiber link failed.
LINK B	Solid on	Port B single mode fiber signal detect: a valid connection established.
	Off	Single mode fiber link failed

4. Product connection diagram



Ordering information

Model	Description	Power supply	Distance
MM to SM Converter	100M, MM dual fiber to SM dual	External	MM 2 Km 1310nm
			SM 20 Km 1310nm

FIBERLAND

Fiber Optic & Networking Products

Let's create a pure fiberland for human beings

	fiber		
MM to SM Converter	100M, MM dual fiber to SM dual fiber	External	MM 2 Km 1310nm
			SM 40 Km 1310nm
MM to SM Converter	100M, MM dual fiber to SM dual fiber	External	MM 2 Km 1310nm
			SM 60 Km 1310nm
MM to SM Converter	100M, MM dual fiber to SM dual fiber	External	MM 2 Km 1310nm
			SM 80 Km 1550nm
MM to SM Converter	100M, MM dual fiber to SM dual fiber	External	MM 2 Km 1310nm
			SM 100 Km 1550nm
MM to SM Converter	100M, MM dual fiber to SM dual fiber	External	MM 2 Km 1310nm
			SM 120 Km 1550nm
MM to SM converter	100M, MM dual fiber to SM single fiber A side	External	MM 2 Km 1310nm
			SM 20 Km TX1310/RX1550nm
MM to SM converter	100M, MM dual fiber to SM single fiber B side	External	MM 2 Km 1310nm
			SM 20 Km TX1550/RX1310nm
MM to SM converter	100M, SM dual fiber to SM single fiber A side	External	SM dual fiber 20 Km 1310nm
			SM single fiber 20 Km TX1310/RX1550nm
MM to SM converter	100M, SM dual fiber to SM single fiber B side	External	SM dual fiber 20 Km 1310nm
			SM single fiber 20 Km TX1550/RX1310nm
MM to SM converter	100M, SM dual fiber to SM dual fiber	External	SM dual fiber 60 Km 1310nm
			SM dual fiber 80 Km 1550nm
MM to SM converter	100M, SM dual fiber to SM dual fiber	External	SM dual fiber 80 Km 1550nm
			SM dual fiber 80 Km 1550nm

FIBERLAND

Fiber Optic & Networking Products

Let's create a pure fiberland for human beings

MM to SM converter	100M, MM single fiber A side to SM single A side	External	MM 2 Km TX1310/RX1550nm
			SM 20Km TX1310/RX1550nm
MM to SM converter	100M, MM single fiber B side to SM single B side	External	MM 2 Km TX1550/RX1310nm
			SM 20Km TX1550/RX1310nm
MM to SM converter	1000M, MM dual fiber to SM dual fiber	External	MM (850nm) 550m
			SM 10Km 1310nm
MM to SM converter	1000M, MM dual fiber to SM dual fiber	External	MM (1310nm) 550m
			SM 10Km 1310nm
MM to SM converter	1000M, MM dual fiber to SM dual fiber	External	MM (850nm) 550m
			SM 20Km 1310nm
MM to SM converter	1000M, MM dual fiber to SM dual	External	MM (1310nm) 550m
			SM 20Km 1310nm
MM to SM converter	1000M, MM dual fiber to SM dual fiber	External	MM (850nm) 550m
			SM 40Km 1550nm
MM to SM converter	1000M, MM dual fiber to SM dual fiber	External	MM (850nm) 550m
			SM 60Km 1550nm
MM to SM converter	1000M, MM dual fiber to SM dual fiber	External	MM (850nm) 550m
			SM 80Km 1550nm
MM to SM converter	1000M, MM dual fiber to SM single fiber A side	External	MM (850nm) 550m
			SM 10Km TX1310/RX1550nm
MM to SM converter	1000M, MM dual fiber to SM single fiber B side	External	MM (850nm) 550m
			SM 10Km TX1550/RX1310nm
MM to SM converter	1000M, MM dual fiber to SM single fiber A side	External	MM (850nm) 550m
			SM 20Km TX1310/RX1550nm

FIBERLAND

Fiber Optic & Networking Products

Let's create a pure fiberland for human beings

MM to SM converter	1000M, MM dual fiber to SM single fiber B side	External	MM (850nm) 550m
			SM 20Km TX1550/RX1310nm
MM to SM converter	1000M, MM dual fiber to SM single fiber A side	External	MM (850nm) 550m
			SM 40Km TX1310/RX1550nm
MM to SM converter	1000M, MM dual fiber to SM single fiber B side	External	MM (850nm) 550m
			SM 40Km TX1550/RX1310nm
MM to SM converter	1000M, SM dual fiber to SM dual fiber	External	SM dual fiber 40 Km 1550nm
			SM dual fiber 60 Km 1550nm
MM to SM converter	1000M, SM dual fiber to SM dual fiber	External	SM dual fiber 20 Km 1550nm
			SM dual fiber 80 Km 1550nm